

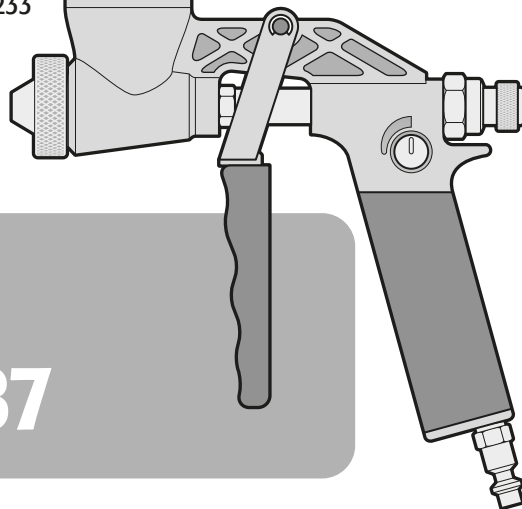
Manual

Air Texture Gun

3 Output diameters

Applies for:

Model	Code
PITI-687	19233





PITI-687

 **CAUTION**



Read the entire manual
before using the tool



Technical data	2
Pneumatic Requirements	2
 Safety Warnings for Using Pneumatic Tools	3
 Safety Warnings for Using Texture guns	4
Parts	5
Setting Up	6
Start Up	7
Maintenance	8
Troubleshooting	9
Notes	10

CAUTION

To gain the best performance of the tool, prolong the duty life, make the Warranty valid if necessary, and to avoid hazards of fatal injuries please read and understand this Manual before using the tool.

Keep this manual for future references.

The illustrations in this manual are for reference only. They might be different from the real tool.


Technical data

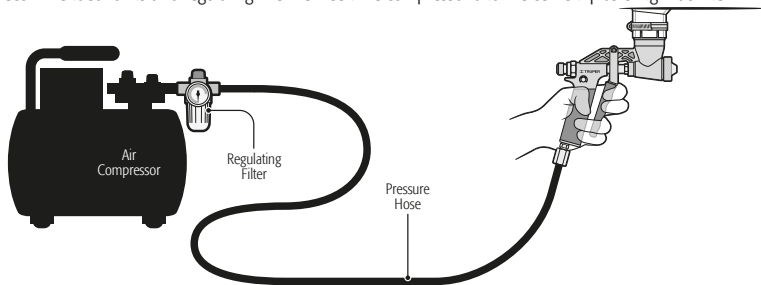
PITI-687

Code •	19233
Description •	Air Texture Gun
Hopper Capacity •	2 GAL
Work Pressure •	40 PSI- 90 PSI
Connection Diameter •	1/4 NPT
Air Consumption •	2.4 - 2.55CFM
Nozzle Diameter •	3/16", 1/4" and 5/16"

Pneumatic Requirements

- It is recommended to use compressors with at least 3 CV with a 100 liters deposit.
- To carry out the job comfortably use high-pressure hoses with the right length.

 **CAUTION** • Dust and water condensed inside the compressor tank may cause a deficient finish onto the working surface. It is recommended to install a regulating filter between the compressor and the cement plastering machine.



Safety Warnings for Using Pneumatic Tools



Keep your work area clean, tidy and well lit.

CAUTION Cluttered and dark areas can cause accidents.



Never use the tool in explosive environments or in the presence of flammable liquids or with no ventilation.

DANGER Sparks generated by the tool could cause explosion or fire.



Keep children and other people at a safe distance while using the tool.

WARNING Distractions can make lose control and cause accidents.



Avoid making contact with power lines and circuits.

DANGER Place an avoid power lines and circuits especially hidden wiring including grounded objects.



Stay alert, be cautious and use common sense.

CAUTION Familiarity with the use of the tool could distract you while operating it. This can cause accidents.

Do not use the tool if tired or under the influence of drugs, alcohol or medication.

DANGER A moment distraction while using the tool can cause severe personal injury.

Use the tool with all its parts in place and in good repair.

WARNING Failure to comply with this instruction can expose you to severe injury.

Secure and support correctly the work piece .

CAUTION Use vices and a stable work surface.

Never force the tool.

CAUTION Working within the range of the tool design assures a better and safer job.



Store the tool in a safe place away from children reach.

WARNING Pneumatic tools are dangerous in inexperienced hands.



Wear the right clothing.

WARNING Loose clothing, jewelry or long hair can get caught in the moving parts.



Keep hands away from the moving and / or rotating parts.

WARNING Failure to comply with this warning expose you to severe personal injury such as cuts, burns and crushing.



Wear the adequate personal protection equipment.

CAUTION Use of eye protection, dust mask, anti-squid safety shoes, and protection helmet and safety gloves considerably reduce risk of injuries.



Disconnect the air hose from the tool before servicing or changing accessories.

WARNING To prevent the tool from accidentally starting up and cause accidents.

Never use the tool if the switch is not working or if it is not correctly assembled.

WARNING Using the tool in disrepair expose you to severe personal injury. Repair immediately in a TRUPER Authorized Service Center.

Do not overreach.

CAUTION Good footing and balance allow having better control on the tool in unexpected situations.

Never pull the air hose.

WARNING Do not use the hose to carry the tool or disconnect it from the air supply. Damaged or tangled hoses may burst and shoot residues towards the operator.

Prevent accidentally starting the tool.

WARNING Double check the air intake is disconnected before lubricating, setting accessories or servicing the tool.



Remove all the vices before starting the tool.

DANGER Additional tools, or vices set onto a rotating piece in the tool may cause severe personal injury.

Service the tool and verify it is in excellent conditions before using it.

CAUTION Double-check carefully all the mobile parts, alignment and assembly. Do this inspection regularly. Look for any damaged element or malfunctioning part. Replace immediately in a TRUPER Authorized Service Center.



Accessories.

CAUTION Use only accessories or spare parts indicated in this Manual or certified by TRUPER.

Never leave the tool running unattended.

CAUTION Disconnect the tool from the air supply after operating and before storing in a safe place to prevent accidents.

Substances and materials

⚠ CAUTION • The equipment's design is for applying covering materials such as paint, varnish, enamel, etc., with an ignition point not lower to 70 °F. See the product label in the can or container.

⚠ WARNING • Do not spray substances with which you are not familiar and not know the potential dangers.

⚠ WARNING • Do not spray flammable substances.
• Be careful of the dangers the sprayed substances originate. Read the text and information in the cans and containers or the manufacturer specifications.

Before Operating the Equipment

⚠ CAUTION • The equipment shall not be used in closed spaces or in explosive environments.
• If working outside, consider the wind direction. Wind can carry the covering over long distances and cause damage as well as making the job very difficult.

⚠ CAUTION • If working indoors, verify there is adequate ventilation.

⚠ WARNING • Your work area shall be free of any ignition source. Do not smoke during spraying or near the work area.

⚠ CAUTION • Wear a mask and safety eyeglasses when spraying to prevent injuries in lungs and eyes.

• It is advisable to wear gloves and an overall to protect hands and clothes from the product you are applying.



While Operating the Equipment

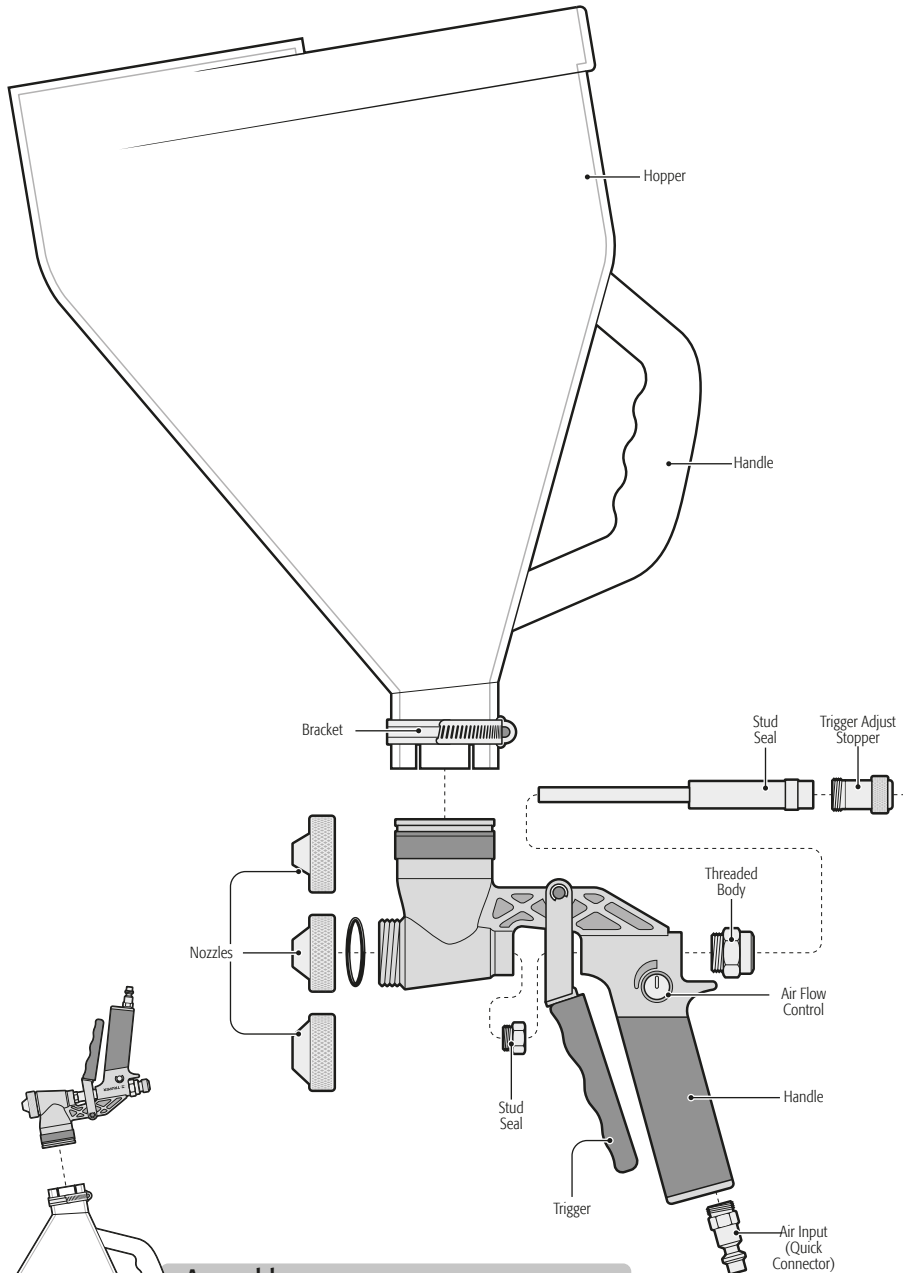
⚠ CAUTION • Never aim the texture gun to paint against yourself, third parties or animals.

• Double check the equipment is not absorbing any solvent vapor.

⚠ CAUTION • If pausing during the applying process do not set aside the plastering machine. Support it by the hook so it stays in a vertical position.

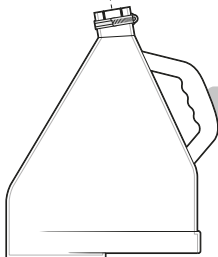
After Operating the Equipment

⚠ WARNING • When finishing the job, clean the texture gun thoroughly to eliminate any product residues. Product accumulations may damage the texture gun and nullify the Warranty.



Assembly

Rest the hopper in an inverted position onto a table or the floor. Set the bracket in the hopper neck. Turn the texture gun so that the handle sits in the same side than the hopper handle. Push it downwards until the material feed is well set in the hopper. Tighten the bracket. Lastly, connect the compressor hose to the fast connection in the texture gun base.



- This texture gun is a precision tool designed to give texture to walls and ceilings. Manufactured to offer long-term use with minimum maintenance. To give texture to your space you need only the texture gun, an air compressor and texturizing material.
- Use the tool correctly following this manual to assure your texture gun performs well and is profitable. Do not neglect oiling and cleaning it thoroughly after each use.

Materials

- There are plenty manufacturers of texturizing materials. It is important to follow the manufacturer instructions when preparing the materials. The texture gun can apply practically, any texturizing material that can be fed and atomized through gravity.
- When using all-purpose sealing compound or light finish compound, dilute material with approximately 1/3 gallon water per each gallon of material. After mixing the texture material it shall get a thick paint or diluted paste thickness.
- Verify the manufacturer instructions if there is compatibility contraindication between the material and the aluminum guns.
- Never operate the texture gun with a dry or too pasty mix. It damages the machine.
- If the paste turns pasty, add more water to get a more liquid consistency.
- To increase the useful life of the plastering machine, DO NOT leave the mix inside the machine or the hopper for long periods of time. Clean thoroughly with water after each use.
- Do not fill the hopper with more than 2 gallons of mix. Otherwise it may spill out and cause an accident.

Air Compressor

- Use a compressor that works with 40 PSI and 90 PSI.
- If the compressor is adjusted to deliver low pressure, the texture gun will apply a thicker texture. If adjusted for high pressure, the texture will be finer.
- Air supply shall be uniform or the texture pater will be deficient.
- Test the mix using panels made of plaster, plywood or cardboard.
- The desired texture will depend upon the last adjustments to the plaster machine (trigger run).
- The following table shows the basic parameters to prepare the type of spray.

Texture Pattern	Mix Thickness	Nozzle	Compressor Pressure PSI	Trigger Run
Dotted- Light	Thick paint	Small	23 -25	1/3
Rough Surface	Thick paint	Medium	20 -23	1/2
Dotted - Intermediate	Thick paint	Medium	17 - 20	2/3
Dotted - Rough	Thin Mortar	Large	10 - 15	Complete Run
Acoustic	Manufacturer Specifications	Large	17 - 20	

Spraying Nozzles

- Use smaller nozzles to get fine textures and larger nozzles to get thicker textures. Always use a tip for large spray when applying acoustic material.

Plastering Materials Volume

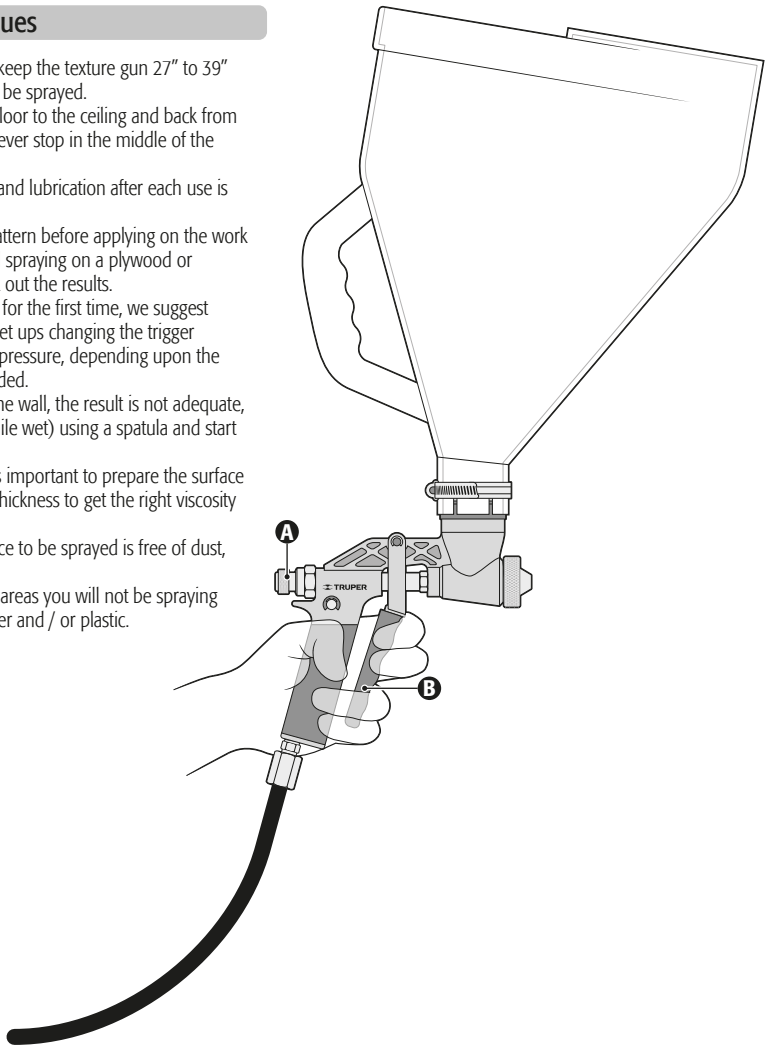
- The trigger position will establish the volume of material the texture gun will spray and expel. Upon pushing the trigger, the air flow delivered through the compressor opens. The more the trigger is pushed, the more material will be expelled producing a thicker pattern.
- After coupling the nozzle and adjusting the compressor pressure, adjust the trigger run. Turn the knob **(A)** to the right to shorten the trigger run. Turn left to lengthen the trigger run.

Starting

- Turn the compressor on.
- Press the trigger **(B)** to open the air flow and start suctioning the product from the hopper. Point the texture gun toward a piece of cardboard until the product starts spraying.
- Release the trigger to stop the spray flow.

Spraying Techniques

- To get an excellent job keep the texture gun 27" to 39" away from the surface to be sprayed.
- Always spray from the floor to the ceiling and back from the ceiling to the floor. Never stop in the middle of the wall.
- Maintenance, cleaning and lubrication after each use is very important.
- Always test the spray pattern before applying on the work surface. We recommend spraying on a plywood or cardboard sheet to check out the results.
- If using the texture gun for the first time, we suggest experimenting different set ups changing the trigger pressure and pneumatic pressure, depending upon the material and pattern needed.
- If upon spraying onto the wall, the result is not adequate, remove immediately (while wet) using a spatula and start all over again.
- To get a good finish it is important to prepare the surface to be sprayed. Reduce thickness to get the right viscosity before applying.
- Double check the surface to be sprayed is free of dust, dirt and grease.
- Make sure to cover the areas you will not be spraying using adhesive tape, paper and / or plastic.



Cleansing and Care

- It is very important to clean the texture gun thoroughly after each use.

⚠ WARNING • Cleaning the machine carelessly will, in the long run, lead to malfunctioning and will nullify the Warranty.

⚠ WARNING • Never immerse the texture gun in solvent. The washers may be damaged.

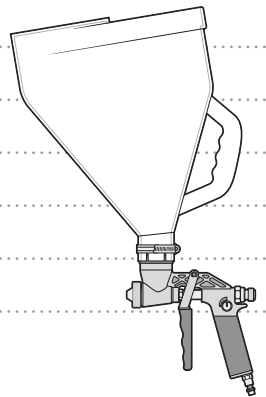
- Wear gloves and safety glasses.
- Disconnect the hose from the plastering machine. Remove nozzle and hopper.
- Clean the hopper and the texture gun body with a cloth damp with water.
- For a deeper cleansing, disassemble the rest of the components. Clean with a brush and water, or air-blow the texture gun to eliminate any texture material or water inside the components.
- Before assembling back, apply a small amount of grease (grease for wheel bearings or lithium based) in all the O-rings. Slide the pneumatic stud in the texture gun from back side of the machine and set the knobs in each of their positions.
- Use care with the O-rings when reassembling the pneumatic stud. The O-rings may get cut in the threads or rip inside the texture gun inside chamber wall. Set the adequate nozzle.
- Rest the machine in an inverted position and place 5 to 10 drops low viscosity and domestic use oil in the fast connection. This will make the oil lubricate the pneumatic stud and the O-rings. After lubricating with oil, press the trigger a couple of times.
- Connect back the compressor hose and purge using water to remove all the remaining texture material.

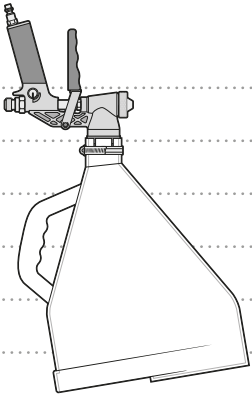
Problem	Cause	Solution
Air flows continuously through the plastering machine.	<ul style="list-style-type: none">• The texture gun internal valve is activated with the trigger and may be stuck or dirty .	<ul style="list-style-type: none">• Disassemble the texture gun to clean and check there are no damaged O-rings. If so, replace.
The material is not spayed correctly.	<ul style="list-style-type: none">• The compressor is too small.• The mix is too thick or is dry.	<ul style="list-style-type: none">• The compressor shall be able to work with pressure between 40 PSI and 90 PSI.• Thin the mix with water.
The material is scattered when hitting the wall or ceiling.	<ul style="list-style-type: none">• The pressure is too high.	<ul style="list-style-type: none">• Verify adjustments. See the textures table. If using a tank compressor, regulate the air.
The material is not being shoot out through the nozzle.	<ul style="list-style-type: none">• The material was not prepared right.	<ul style="list-style-type: none">• Check the mix preparation procedure.

TRUPER, S.A. de C.V.

Parque Industrial No.1, Jilotepec, C.P. 54240, Estado de México, México
TEL. 01 (761) 782 91 00, (TIN) R.F.C.: THE-791105-HP2

www.truper.com





Solución de problemas



Problema Causa Solución

El aire fluye continuamente a través de la trolera.

- La trolera tiene una válvula interna que se activa con el gatillo y puede estar atorada o sucia.
- Desarme la trolera para limpiarla y revisarla que no tenga un O-Ring dañado, de ser así reemplácelo.

El material no se atomiza correctamente.

- El material no se atomiza correctamente.
- El material no se desperdiga al chocar contra la pared o techo.
- La presión es muy alta.
- Verifique los ajustes en la tabla de texturas. Si está usando un compresor con tanque, regule el aire del compresor.
- La mezcla es demasiado espesa o está seca.
- El compresor es demasiado pequeño.
- El compresor debe trabajar a presiones entre 276 kPa (40 PSI) y 620,5 kPa (90 PSI).
- Rebaje con agua.

El material no sale disparado por la boquilla.

- La mezcla fue preparada inapropiadamente.
- Revise el procedimiento de preparación de la mezcla.

TRUPER, S.A. de C.V.

Parque Industrial No.1, Jilotepec, C.P. 54240, Estado de México, México.
TEL. 01 (761) 782 91 00, R.F.C.: THE-791105-HP2

www.truper.com

03-2019

Limpieza y cuidados

• Es muy importante limpiar la trolera por completo

⚠ ADVERTENCIA

Una limpieza inadecuada a la larga

⚠ ADVERTENCIA

Nunca sumerja la trolera en

solvente pues los empaques podrían resultar dañados.

• Utilice guantes y lentes de seguridad.

• Desconecte la manguera de la trolera, retire la boquilla y la tola.

• Limpie la tola y el cuerpo de la trolera con un tapo

humedecido con agua.

• Para una limpieza más profunda desmonte los demás

componentes para limpiarlos con un cepillo y agua, o

sople con aire la trolera para eliminar cualquier material

componentes.

• Antes de ensamblarla de nuevo, aplique una pequeña

cantidad de grasa (grasa de cojinete de rueda o con base

de litio) en todos los O-Rings. Deslice el vástago

neumático en el cuerpo de la trolera desde la parte

respectiva posición.

• Tenga cuidado de no dañar los O-Rings al volver a

ensamblar el vástago neumático. Los O-Rings se pueden

cortar en las rosas o rasgarse en la pared interior de la

cámara de la trolera. Coloque la boquilla apropiada.

• Invierta la trolera y coloque de 5 a 10 gotas de aceite de

baja viscosidad y uso doméstico en la conexión rápida.

Esto permitirá que el aceite lubrique el vástago neumático

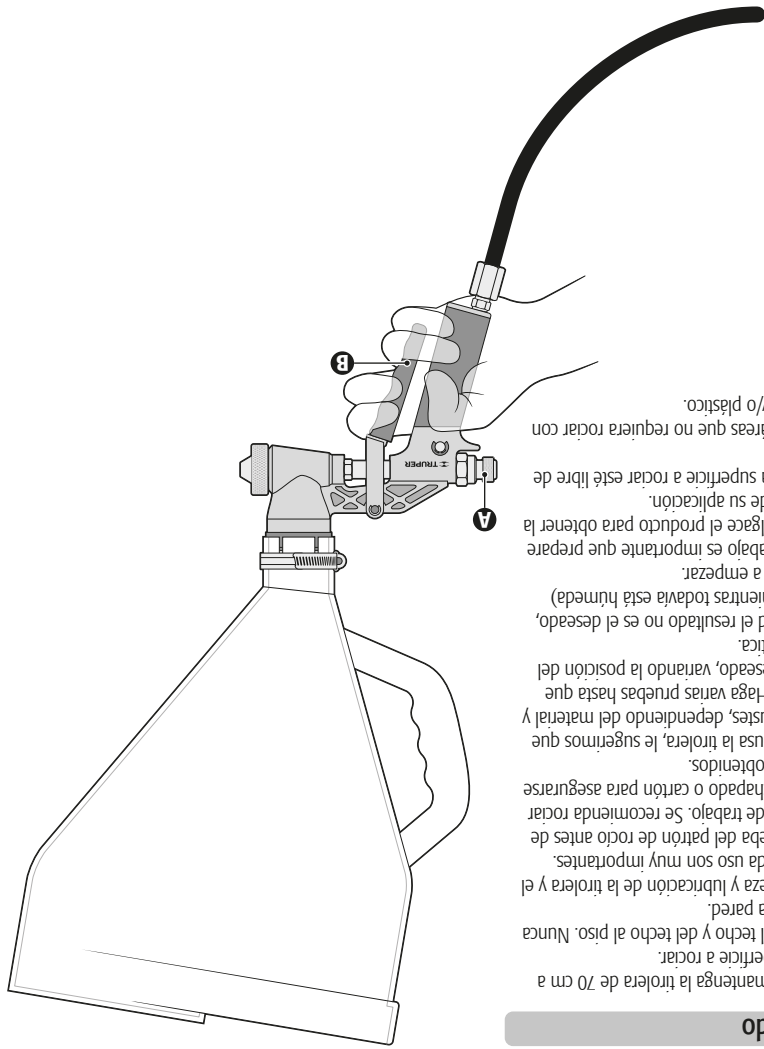
y los O-Rings. Después de lubricar con aceite, presione el

galillo varias veces.

• Conecte de nuevo la manguera del compresor y purgue

con agua para retirar todo el material de textura

remanente.



Técnicas de rociado

- Para un trabajo óptimo mantenga la tirolera de 70 cm a 1 m de distancia de la superficie a rociar.
- Rocíe siempre del piso al techo y del techo al piso. Nunca se detenga a la mitad de la pared.
- El mantenimiento, limpieza y lubricación de la tirolera y el compresor después de cada uso son muy importantes.
- Siempre realice una prueba del patrón de rocio antes de aplicar sobre la superficie de trabajo. Se recomienda rociar sobre una hoja de contrachapado o cartón para asegurarse de obtener los resultados obtenidos.
- Si es la primera vez que usa la tirolera, le sugerimos que experimente diferentes ajustes, dependiendo del material y el patrón que se busque. Haga varias pruebas hasta que logre obtener el patrón deseado, variando la posición del gatillo y la presión neumática.
- Si al rociar sobre la pared el resultado no es el deseado, con una espátula y vuelva a empezar.
- Para obtener un buen trabajo es importante que prepare la superficie a rociar y adelgace el producto para obtener la viscosidad correcta antes de su aplicación.
- Confirme siempre que la superficie a rociar esté libre de polvo, suciedad y grasa.
- Asegúrese de cubrir las áreas que no requiera rociar con cinta adhesiva, periódico y/o plástico.

Volumen de material

- La posición del gatillo determina el volumen de material que se atomiza y expulsa de la tirolera. Al apretar el gatillo se abre el flujo de aire suministrado por el compresor. Entre más apriete el gatillo, mayor cantidad de material será expulsado, produciendo un patrón más grueso.
- Después de acoplar la boquilla y ajustar la presión en el compresor será necesario ajustar la carrera del gatillo. Círe a la derecha la perilla (A) para acortar la carrera del gatillo. Círe a la izquierda para alargar la carrera del gatillo.

Puesta en marcha

Encendido

- Encienda el compresor.
- Presione el gatillo (B) para abrir el flujo de aire y comience a succionar el producto de la tova. Apunte la tirolera hacia un pedazo de cartón hasta que salga el rocio del producto.
- Suelte el gatillo para detener el flujo de rocio.



Preparación

Material

- Hay muchos fabricantes de materiales para texturizar. Es importante que al prepararlos, siga las instrucciones del fabricante. La tirolera puede aplicarse prácticamente cualquier material para texturizar que pueda ser alimentado por gravedad y atomizado.
- Si va a utilizar compuesto para juntas para todo tipo de uso o compuesto de acabado liviano, diluya el material con aproximadamente 3 L (1/3 de galón) de agua por cada 4 L (1 galón) de material. Después de mezclar el material para la textura deberá obtener una consistencia de pintura espesa o de pasta diluida.
- Verifique que en las instrucciones del fabricante no haya alguna contraindicación de compatibilidad entre el material y pistolas de aluminio.
- Nunca opere la tirolera con mezcla seca o muy pastosa, ya que puede dañarse.
- Si la mezcla se ha vuelto pastosa, se deberá agregar agua para darle una consistencia más líquida.
- Para aumentar su vida útil, NO deje la mezcla dentro de la tirolera o la tolva por mucho tiempo y limpie completamente con agua después de cada uso.
- No llene la tolva con más de 8 litros de mezcla, de lo contrario podría derramarse y ocasionar algún accidente.

Compresor de aire

- Esta tirolera es una herramienta de precisión, diseñada para dar textura a paredes y techos. Está fabricada para ofrecer un uso prolongado con un mínimo de mantenimiento. Para dar textura a su espacio solo necesita la tirolera, un compresor de aire y material para texturizar.
- Para asegurar que la vida de su tirolera sea larga y instructivo. No olvide lubricarla y limpiarla profundamente después de cada uso.
- Use un compresor capaz de trabajar a 276 kPa (40 PSI) y 620,5 kPa (90 PSI).
- Si el compresor se ajusta para suministrar baja presión la tirolera aplicará una textura más gruesa, si se ajusta para alta presión la textura será más fina.
- El suministro de aire debe ser uniforme o el patrón de textura será deficiente.
- Efectúe pruebas utilizando paneles de paredes de yeso, madera contrachapada o cartón.
- Según el tipo de textura deseada dependerán los últimos ajustes a la tirolera (carrera del galillo).
- La siguiente tabla muestra los parámetros básicos para preparar el rociado.

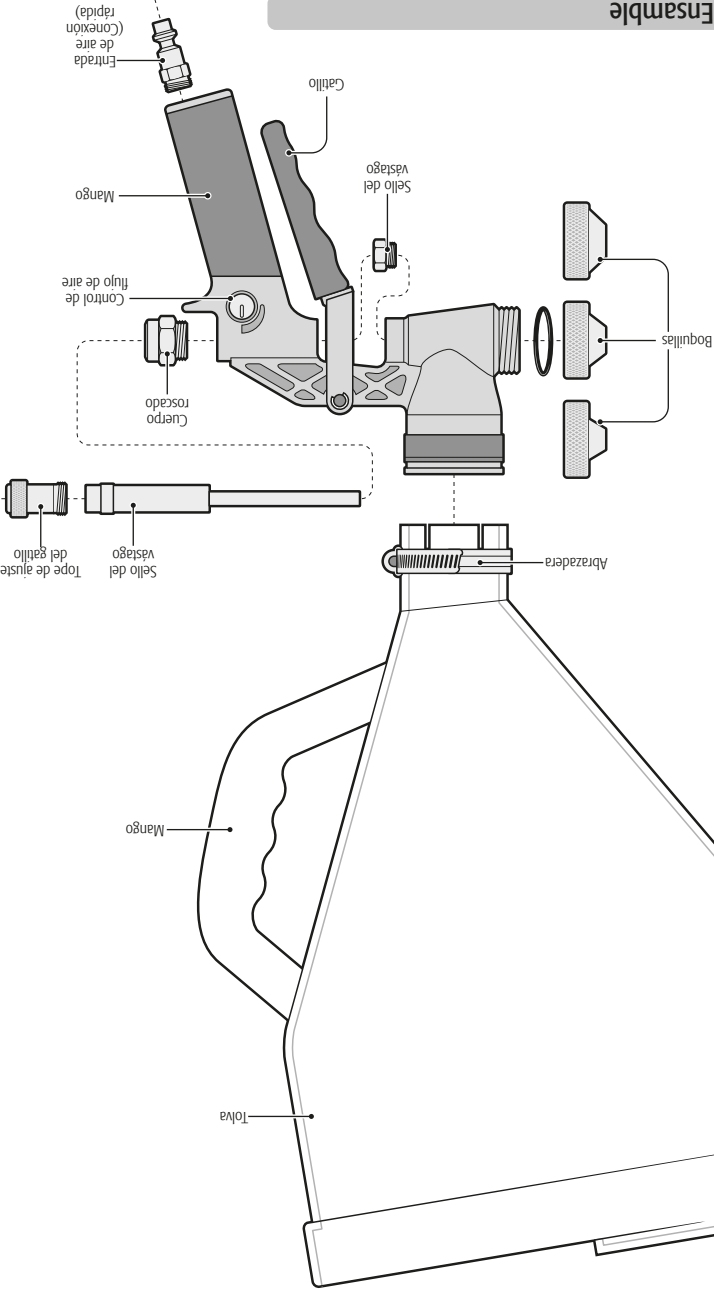
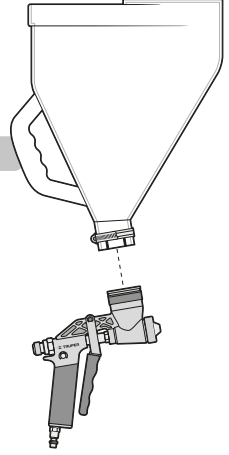
Boquillas para rociar

- Use boquillas pequeñas para obtener patrones de textura finos y boquillas más grandes para patrones de textura gruesos. Siempre debe usar una punta para rociar grande para la aplicación de material acústico.

Patrón de textura	Esesor de la mezcla	Boquilla	Presión del compresor PSI	Carrera del galillo
Salpicado liviano	Pintura espesa	Pequeña	158,5 - 172	1/3
Superficie rugosa	Pintura espesa	Mediana	138 - 155,5	1/2
Salpicado intermedio	Pintura espesa	Mediana	117 - 138	2/3
Salpicado grueso	Argamasa delgada	Grande	69 - 103	10 - 15
Acústico	Especificaciones del fabricante	Grande	117 - 138	17 - 20

Apoye la tolva en posición invertida sobre una mesa o el piso. Coloque la abrazadera en el cuello de la tolva. Cierre la trolera para que el mango quede del mismo lado que el mango de la tolva y empujela hacia abajo hasta que la entrada de material esté bien asentada en la tolva. Apriete la abrazadera. Finalmente conecte la manguera del compresor a la conexión rápida en la base del mango de la trolera.

Ensamble



Advertencias de Seguridad para uso de tiroteras

Mientras opera el equipo

- **ATENCIÓN** Nunca apunte la tirotera para pintar hacia usted ni a otras personas o animales.
- Asegúrese de que el equipo no absorba ningún vapor solvente.
- Si va a hacer una pausa durante el proceso de aplicación, no ponga de lado la tirotera, sosténgala en algún lugar por el gancho para que quede en posición vertical.

Substancias y materiales

- El equipo está diseñado para aplicar materiales de recubrimiento como pintura, barniz, esmalte, etc. Los cuales deben tener un punto de inflamación no menor de 21 °C, consulte la etiqueta de la lata o contenedor del producto.
- **ADVERTENCIA** No rocíe substancias con las cuales no esté familiarizado y desconozca su peligro potencial.
- **ADVERTENCIA** No rocíe substancias inflamables.
- **ADVERTENCIA** No rocíe substancias que se originen por las substancias rociadas. Consulte el texto y la información de las latas y contenedores o las especificaciones del fabricante.

Después de operar el equipo

- **ADVERTENCIA** Limpie perfectamente la tirotera para eliminar cualquier residuo de producto al terminar el trabajo. Las acumulaciones pueden estropear la tirotera e invalidar la garantía.

Antes de operar el equipo

- El equipo no debe utilizarse en espacios cerrados ni en ambientes explosivos.
- Si va a trabajar en exteriores considere la dirección del viento. El viento puede llevar el recubrimiento a grandes distancias y ocasionar daños, además de dificultar el trabajo.
- **ATENCIÓN** Si va a trabajar en interiores ventílique que haya ventilación adecuada.
- **ADVERTENCIA** El área de trabajo debe de estar libre de cualquier fuente de ignición. No fume durante el trabajo de roçado ni cerca del área de trabajo.
- **ATENCIÓN** Utilice una mascarilla y lentes de seguridad cuando rocíe para evitar daños en manos y ropa del producto a aplicar.
- Se recomienda utilizar guantes y overol para proteger sus



TRUPER®

Advertencias de Seguridad para uso de herramientas neumáticas

Mantenga su área de trabajo limpia, ordenada y bien iluminada.

⚠ ATENCIÓN Áreas desordenadas y oscuras pueden provocar accidentes.

⚠ PELIGRO Las chispas que genera la herramienta podría provocar una explosión o incendio.

Mantenga a los niños y a otras personas a una distancia segura mientras utiliza la herramienta.

⚠ ADVERTENCIA Las distracciones pueden hacerle perder el control y provocar accidentes.

⚠ PELIGRO Ubique y evite todas las líneas y circuitos eléctricos, especialmente el cableado oculto.

⚠ PELIGRO Así como cualquier objeto conectado a tierra.

⚠ ATENCIÓN No deje que la herramienta se utilice.

Esto puede provocar accidentes.

⚠ PELIGRO Un momento de distracción mientras utiliza la herramienta puede provocar lesiones.

⚠ PELIGRO No utilice la herramienta si está cansado, o bajo la influencia de drogas, alcohol o medicamentos.

⚠ PELIGRO Utilice la herramienta con todas sus piezas en su lugar y en buen estado.

⚠ ADVERTENCIA De no hacerlo se expone a lesiones personales graves.

⚠ ATENCIÓN Asegure y apoye adecuadamente la pieza de trabajo.

⚠ ATENCIÓN Utilice abrazaderas y una superficie de trabajo estable.

⚠ ATENCIÓN Nunca fuerce la herramienta.

⚠ ATENCIÓN Trabajar dentro del rango para el que fue diseñada asegura un mejor trabajo y es más seguro.

⚠ ADVERTENCIA Guarde la herramienta en un lugar seguro fuera del alcance de los niños.

⚠ ADVERTENCIA Utilice la indumentaria adecuada.

⚠ ADVERTENCIA La ropa suelta, joyas o cabello largo pueden ser atrapados por las piezas móviles.

⚠ ADVERTENCIA Mantenga las manos alejadas de las partes giratorias y/o móviles.



Utilice equipo adecuado de protección personal.

⚠ ATENCIÓN Utilice protección para los ojos. Mascarilla antipolvo, zapatos de seguridad antideslizantes, casco y protección para los oídos en condiciones adecuadas reducen considerablemente el riesgo de lesiones.

⚠ ADVERTENCIA Desconecte la manguera de aire de la herramienta antes de darle mantenimiento o cambiar sus accesorios.

⚠ ADVERTENCIA Para evitar incendios accidentales que deriven en accidentes.

⚠ ADVERTENCIA Nunca utilice la herramienta si el interruptor no funciona o no está debidamente ensamblada.

⚠ ADVERTENCIA De hacerlo se expone a lesiones personales graves, repárela inmediatamente.

⚠ ATENCIÓN No sobre extienda su campo de acción.

⚠ ATENCIÓN Un buen apoyo y equilibrio permiten un mejor control de la herramienta en situaciones inesperadas.

⚠ ADVERTENCIA Nunca tire de la manguera de aire.

⚠ ADVERTENCIA No la use para cargar la herramienta o desconectarla de la toma de aire. Las mangueras dañadas o enredadas pueden reventar y lanzar residuos al operador.

⚠ ADVERTENCIA Evite incendios accidentales.

⚠ ADVERTENCIA Asegúrese de que la toma de aire está desconectada antes de lubricar, colocar accesorios o dar mantenimiento a la herramienta.

⚠ PELIGRO Retire cualquier llave de ajuste antes de encender la herramienta.

⚠ PELIGRO Herramientas adicionales o llaves colocadas en una pieza giratoria de la herramienta puede provocar lesiones personales graves.

⚠ ATENCIÓN Déle mantenimiento a la herramienta y cerciórese que se encuentra en condiciones óptimas antes de utilizarla.

⚠ ATENCIÓN Revise cuidadosamente sus partes móviles, su alineación y montaje. Hágalo periódicamente.

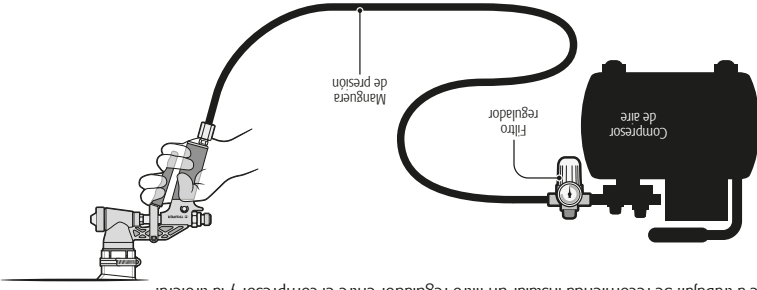
⚠ ATENCIÓN Busque cualquier elemento dañado o pieza que no funcione adecuadamente para su inmediata reparación.

⚠ ATENCIÓN Utilice sólo los accesorios o relaciones indicados en este instructivo o certificados por TRUPER.

⚠ ATENCIÓN Nunca deje la herramienta en marcha sin supervisión.

⚠ ATENCIÓN Desconecte la herramienta de la toma de aire después de operar y antes de dejarla para evitar accidentes graves.





- Se recomienda utilizar compresores de al menos 3 CV con depósito de 100 litros.
- Utilice mangueras de alta presión con una longitud adecuada para realizar el trabajo cómodamente.
- **¡ATENCIÓN!** El polvo y agua condensada dentro del tanque del compresor pueden ocasionar un acabado deficiente en la superficie a trabajar. Se recomienda instalar un filtro regulador entre el compresor y la trolera.

Requerimientos neumáticos

• Código	19233
• Descripción	Trolera neumática
• Capacidad de la tolva	8 L
• Presión de trabajo	276 kPa - 620,5 kPa (40 PSI- 90 PSI)
• Diámetro de conexión	1/4 NPT
• Consumo de aire	66 L/min - 72 L/min (2.4-2.55CFM)
• Diámetro de la boquilla	5 mm, 6 mm y 8 mm

P111-687

Especificaciones técnicas

- 2 Especificaciones técnicas
- 2 Requerimientos neumáticos
- 3 Advertencias de Seguridad para uso de herramientas neumáticas.
- 4 Advertencias de Seguridad para uso de troleras.
- 5 Partes.
- 6 Preparación.
- 7 Puesta en marcha.
- 8 Mantenimiento.
- 9 Solución de problemas.
- 10 Notas.

¡ATENCIÓN!

Para poder sacar el máximo provecho de la herramienta, alargar su vida útil, hacer válida la garantía en caso de ser necesario y evitar riesgos o lesiones graves, es fundamental leer este instructivo por completo antes de usar la herramienta.

Guarde este instructivo para futuras referencias. Los gráficos de este instructivo son para referencia, pueden variar del aspecto real de la herramienta.

herramienta.

Los gráficos de este instructivo son para referencia, pueden variar del aspecto real de la herramienta.

Guarde este instructivo para futuras referencias.

herramienta.

completo antes de usar la herramienta.

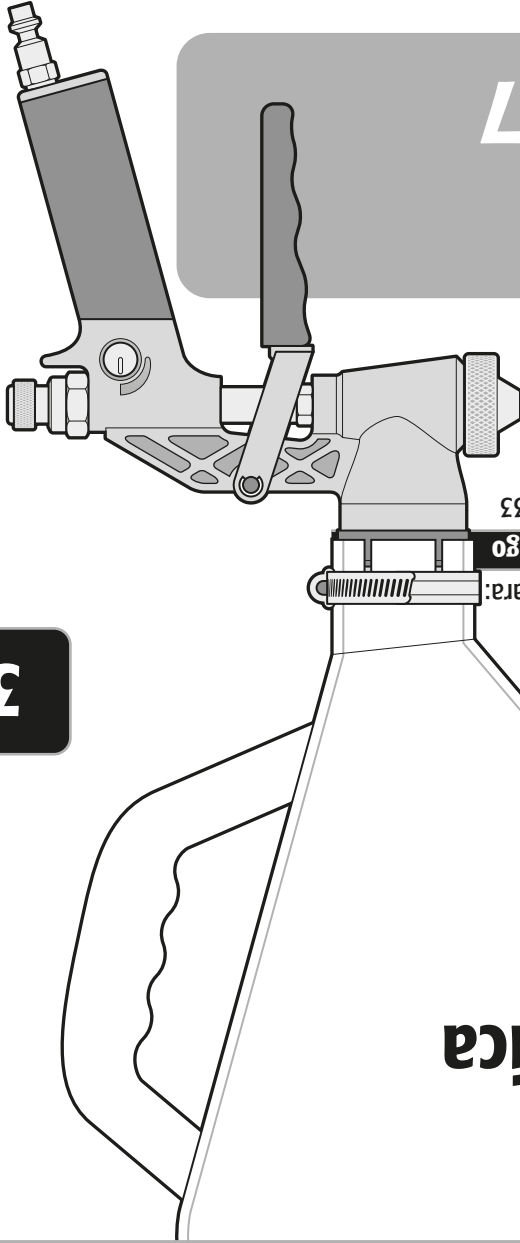
Para poder sacar el máximo provecho de la herramienta, alargar su vida útil, hacer válida la garantía en caso de ser necesario y evitar riesgos o lesiones graves, es fundamental leer este instructivo por completo antes de usar la herramienta.

Instructivo de
Tirolera
neumática

3
Diámetros
de salida

Este Instructivo es para:

Modelo P1TI-687
Código 19233



P1TI-687



Lea este Instructivo por completo
antes de usar la herramienta.

ATENCIÓN

